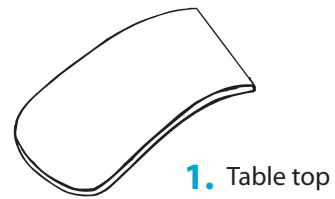
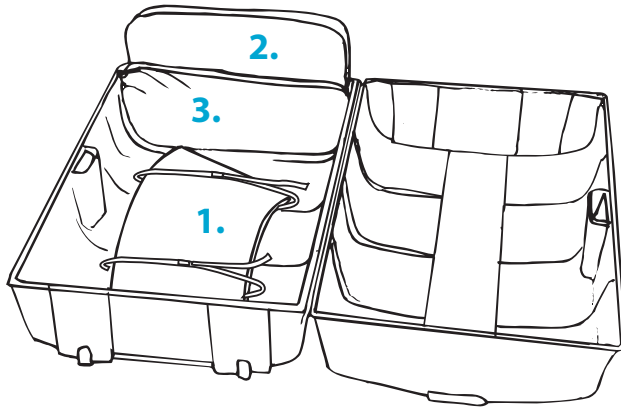


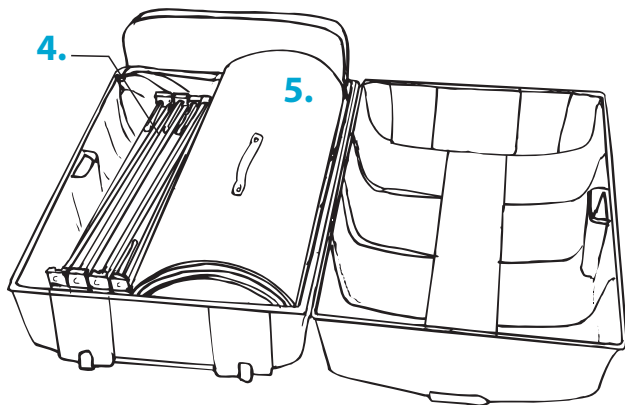
How to pack Expand PodiumCase



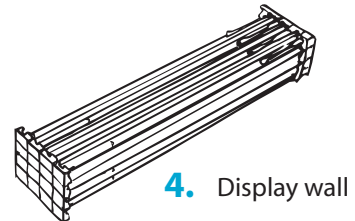
1. Table top



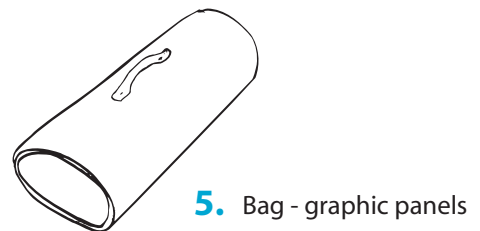
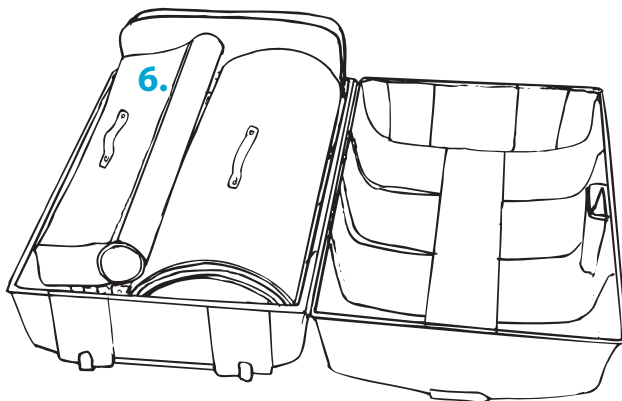
2. Bag - spot lights



3. Bag - shelves



4. Display wall



5. Bag - graphic panels



6. Bag - magnetic bars and wrap